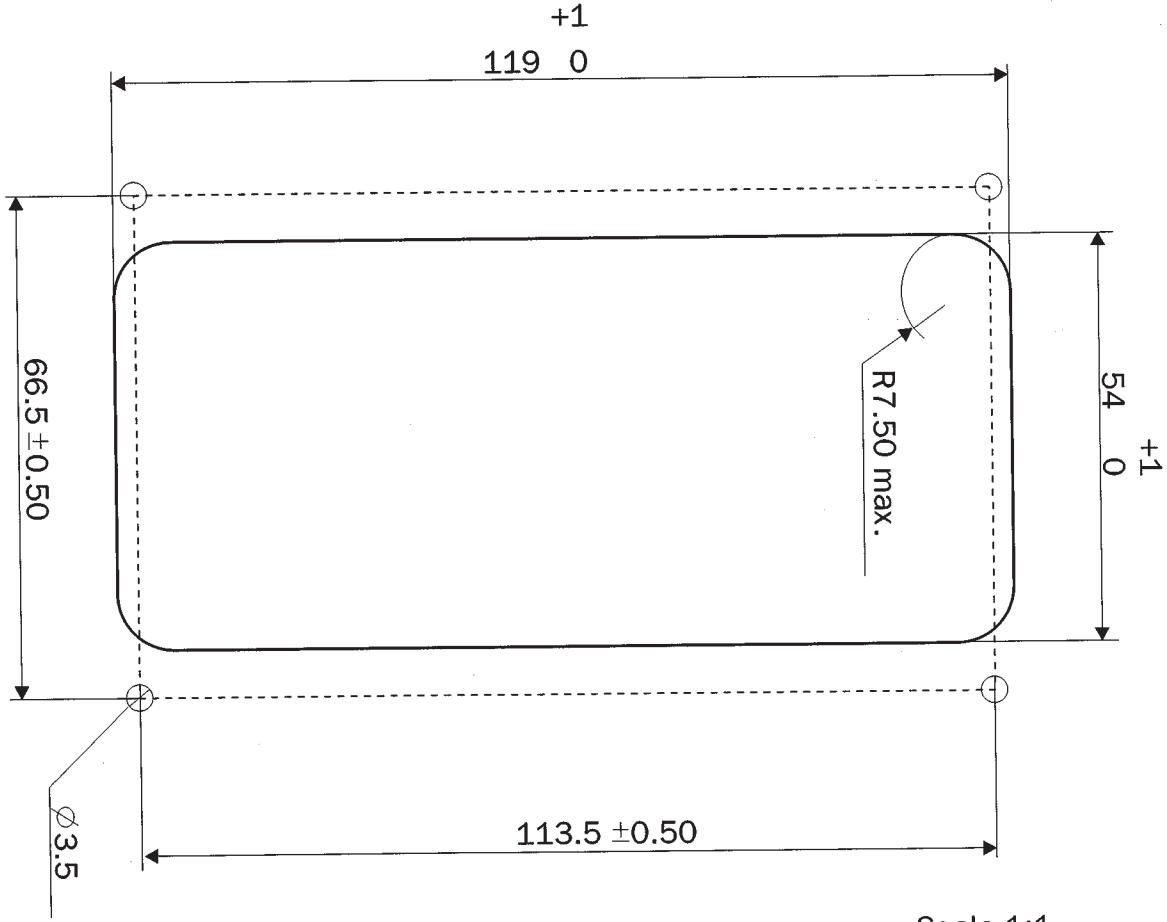
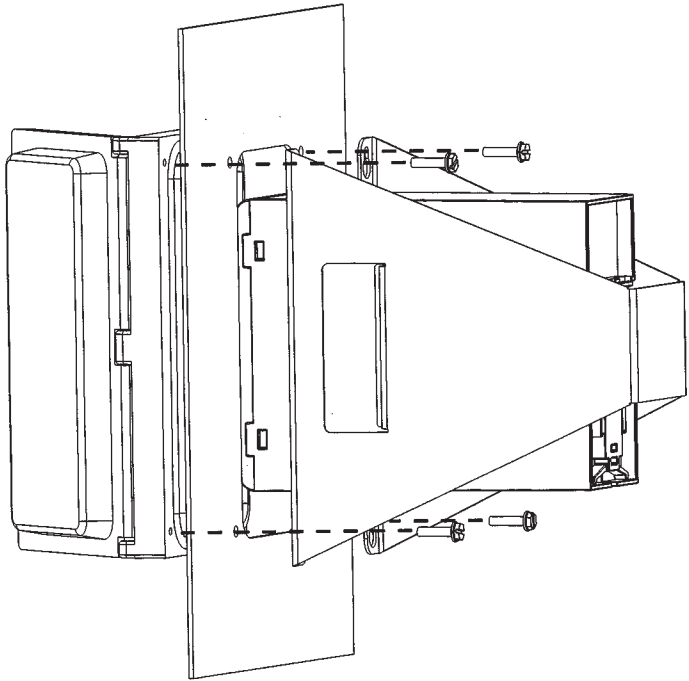


**EL-FI Front Panel Kit 1.  
IP54 Protection Class**



**Technical Data**

| <b>Contains:</b>        | <b>Dimension:</b> | <b>Parts:</b> |
|-------------------------|-------------------|---------------|
| Plastic door            | 130x77            | 1 pcs         |
| Mounting Plate          | 128x108           | 1 pcs         |
| Screws                  |                   | 4 pcs         |
| <b>Protection class</b> |                   |               |
| Plastic door            | IP54              |               |



Scale 1:1

**Emotron AB**  
**Box 22225**  
**SE-250 24 Helsingborg**  
**Sweden**  
**Phone: +46 - 42 16 99 00**  
**Fax: +46 - 42 16 99 49**  
**www.emotron.com**

Article number: 01-2370-00 r1