

Silicone heating tape (for non-hazardous area use)

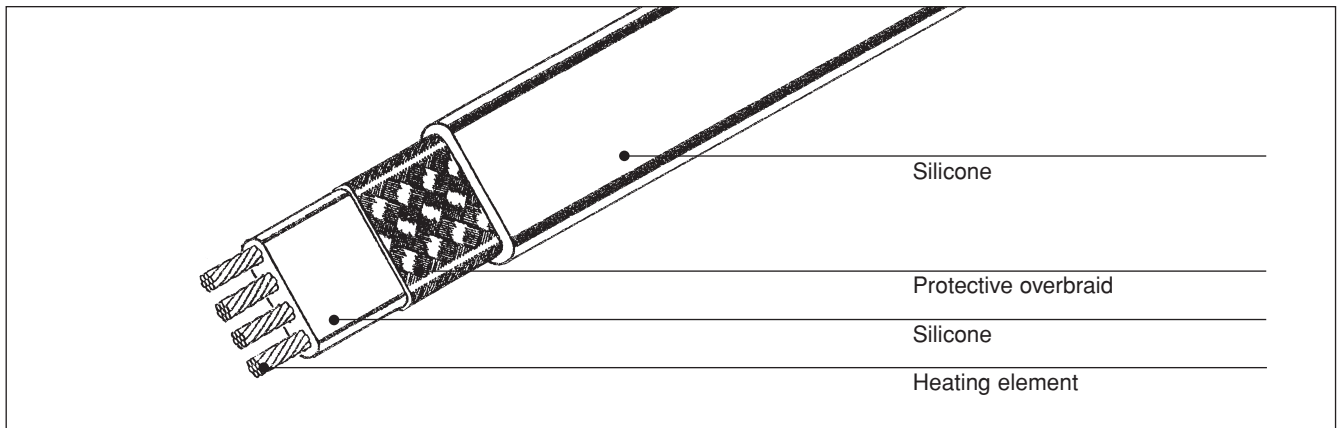
SiS10 is a preterminated, flexible and waterproof silicone heating tape of highest quality. It is manufactured according to the latest safety-technology regulations. Four silicone insulated heating conduc-

tors are embedded in a protective overbraid made of cupro-nickel.

The temperature depends on the power and way of use. Please make sure that the

heating tape does not exceed the maximum withstand temperature.

The outer jacket is smooth and may be washed down for cleaning.



Size 11 mm wide x 5 mm thick (0.43" x 0.2")

Specification

Nominal power output	Approx. 100 W/m (approx. 30 W/ft)
Supply voltage	230 V AC
Loading tolerance	Up to 100 watts \pm 10%, from 100 watts + 5% / - 10%
Area classification	Non hazardous
System of protection	IP 67, waterproof
Electrical protection	Class I
Max. withstand temperature (power off)	200°C (392°F)
Max. surface temperature (power on)	Up to 200°C (392°F) (power and way of use dependent)
Bending radius	\geq 15 mm (0.6")
Spacing	\geq 5 mm (0.2")

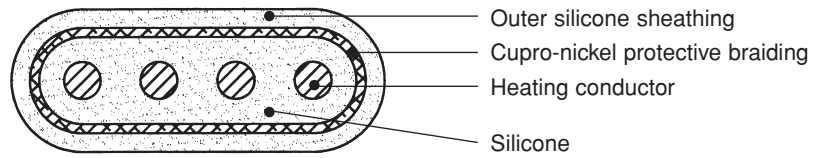
Construction

Heating element	Depending on length CuNi 10, CuNi 44 or NiCr
Electrical insulation	Silicone insulation and cupro-nickel protective overbraid
Carrier	Silicone
Outer sheathing	Silicone
Connection	70 x 23 x 15 mm (2.8" x 0.9" x 0.6") (L x W x D)
Termination	50 x 25 x 15 mm (2.0" x 1.0" x 0.6") (L x W x D)

Termination

Cold lead	1.5 m (5 ft) silicone power supply cable
Terminating tails	70 mm / 1.5 mm ² (2.8" / AWG 16)

Cross section



Standard lengths and loadings table

	Length m (ft)	Watts	Part No.
	1.0 (0.3)	100	115 096-000
	1.5 (0.46)	150	328 552-000
Other lengths and power specifications etc. available upon request	2.0 (0.76)	200	162 874-000
	3.0 (0.9)	300	021 826-000
	5.0 (1.5)	500	910 894-000
	7.0 (2.1)	700	612 242-000
	10.0 (3.0)	1000	716 918-000

Ordering details

Part description	SiS10
Part No.	See table above

Isopad – a brand of Tyco Thermal Controls GmbH.

www.isopad.de
www.tycothermal.com

Important: All information, including illustrations, is believed to be reliable. Users, however, should independently evaluate the suitability of each product for their particular application. Tyco Thermal Controls makes no warranties as to the accuracy or completeness of the information, and disclaims any liability regarding its use. Tyco Thermal Controls' only obligations are those in the Tyco Thermal Controls Standard Terms and Conditions of Sale for this product, and in no case will Tyco Thermal Controls or its distributors be liable for any incidental, indirect or consequential damages arising from the sale, resale, use or misuse of the product. Specifications are subject to change without notice. In addition, Tyco Thermal Controls reserves the right to make changes, without notification to the Buyer, to processing or materials that do not affect compliance with any applicable specification.

tyco

Flow Control

Tyco Thermal Controls

Tyco Thermal Controls GmbH
 Englerstr. 11
 D-69126 Heidelberg
 Phone +49(0)6221-3043-0
 Fax +49(0)6221-3043-956

Tyco Thermal Controls
 Staatsbaan 4A
 B-3210 Lubbeek
 Phone +32(0)1621-3511
 Fax +32(0)1621-3600

Tyco Thermal Controls Limited
 3 Rutherford Road,
 Stephenson Industrial Estate,
 GB-Washington,
 Tyne and Wear NE37 3HX
 Phone +44(0)191 419 8200
 Fax +44(0)191 419 8201

Worldwide Headquarters Tyco Thermal Controls
 300 Constitution Drive,
 Menlo Park,
 CA 94025-1164, USA
 Phone (800) 545-6258
 Fax (800) 545-5004

We manage the heat you need